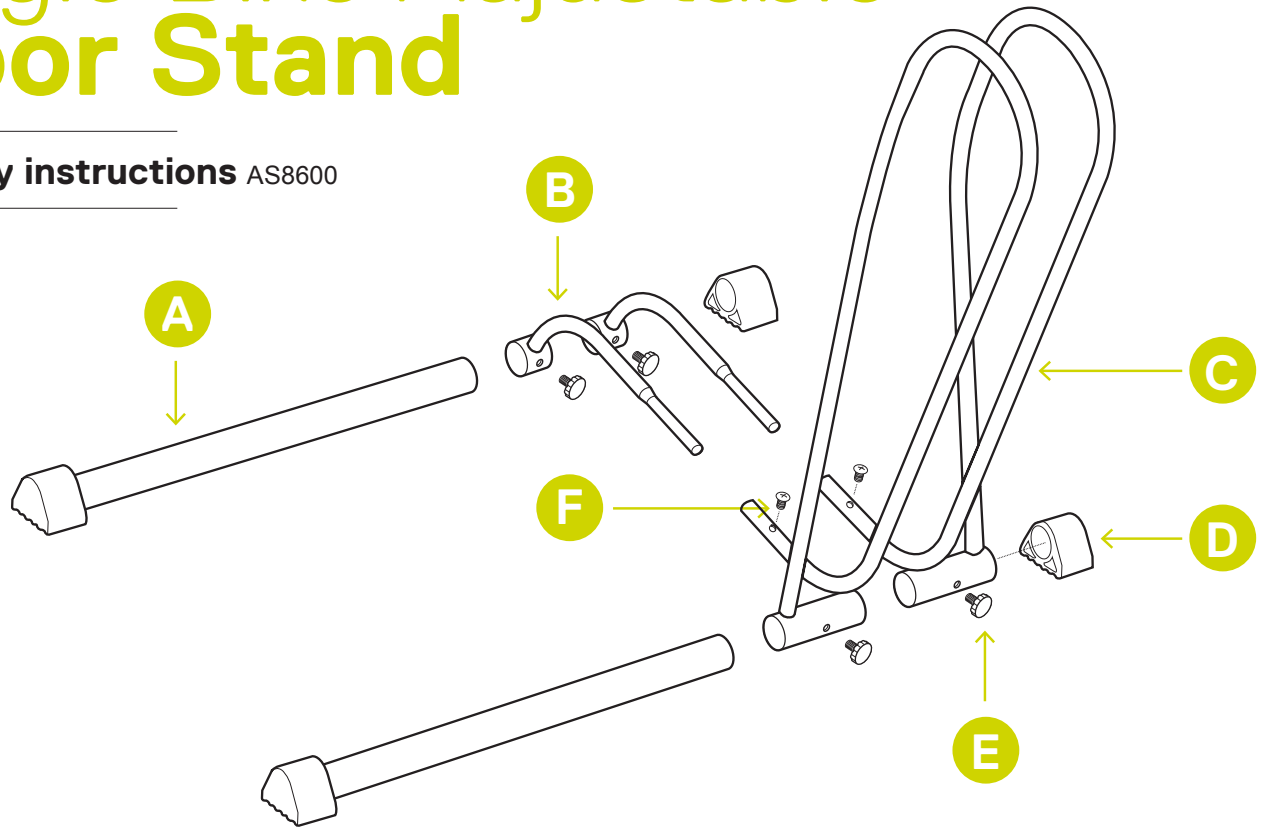


delta<sub>Δ</sub>

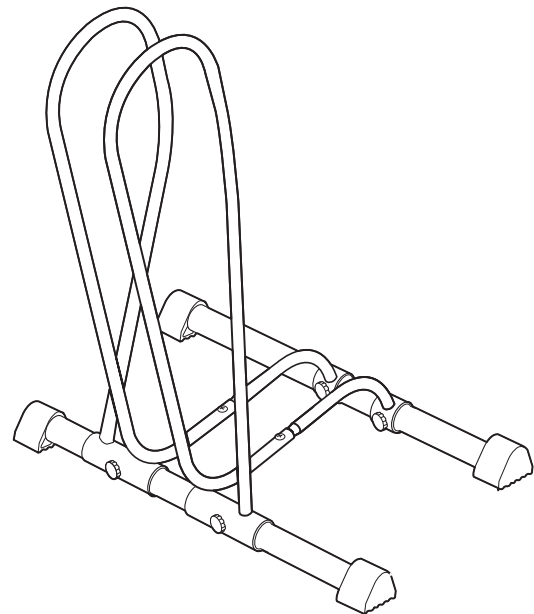
# Single Bike Adjustable Floor Stand

Assembly instructions AS8600



## Parts

- A** x2 — Base with Rubber Foot
- B** x2 — Front Arms
- C** x2 — Rear Arms
- D** x2 — Rubber Foot
- E** x4 — Thumb Screws
- F** x2 — Rear Arm Screws

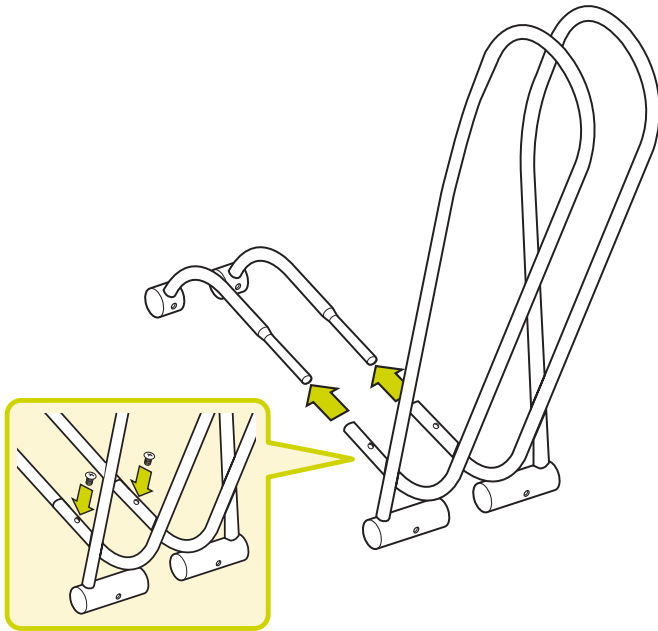


## Tool Required

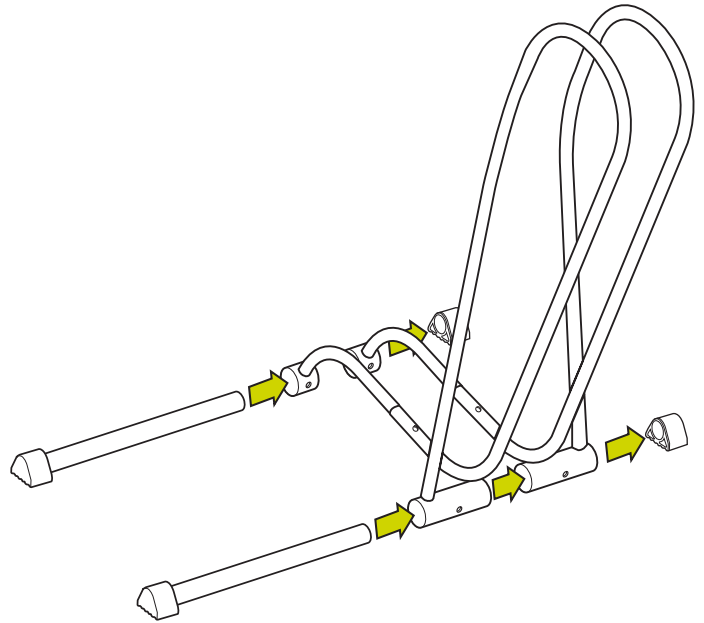
Phillips Head  
Screwdriver



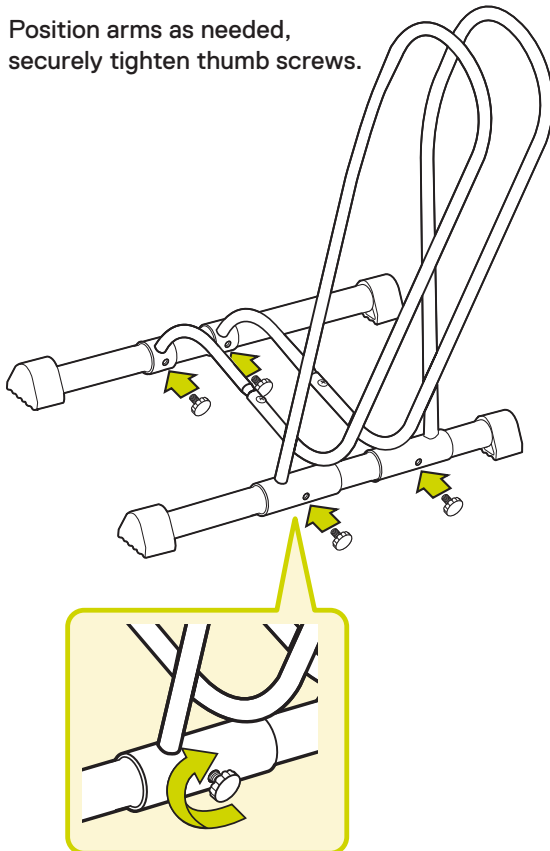
- 1** Attach front and rear arms.  
Tighten rear arm screws securely.



- 2** Slide in base with rubber foot through arms.  
Attach rubber foot to opposite end.

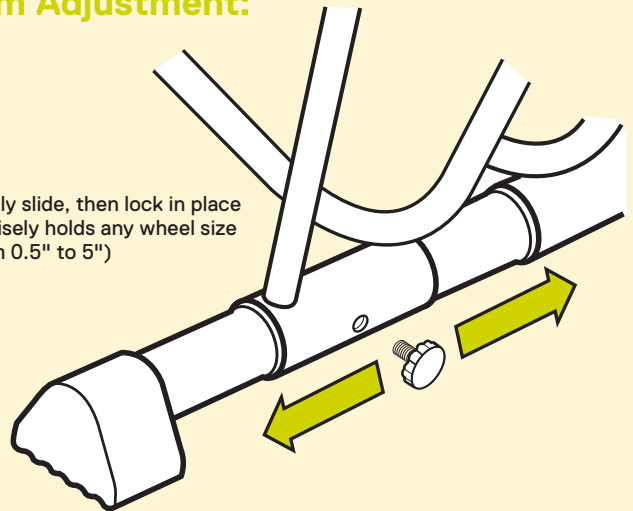


- 1** Position arms as needed,  
securely tighten thumb screws.



### Arm Adjustment:

Simply slide, then lock in place  
Precisely holds any wheel size  
(from 0.5" to 5")



## Need help?

Email us at [sales@masterdistributors.com.au](mailto:sales@masterdistributors.com.au)  
& we'll help solve your issue.